



**REAR RAMP DOOR
OWNER'S MANUAL**

L I P P E R T
C O M P O N E N T S[®]

TABLE OF CONTENTS

Safety Instructions	2
Operation	2
Extend Ramp Door.....	2
Retract Ramp Door.....	3
Rear Ramp Door Assembly	4
Rear Ramp Door With Extension Assembly	5
Rear Ramp Door Components	6-10
Notes	11

Safety Instructions

⚠ WARNING

- Do not operate the ramp door on uneven ground.
- Always lower ramp door onto level ground.
- Do not lower ramp door into a ditch or gully.
- Do not release the ramp door until it rests completely on the ground.
- Do not stand behind the ramp door while operating.
- Keep all body parts clear of the ramp door while closing.
- Failure to heed **WARNING** may result in serious bodily injury or component and/or property damage.

NOTE: Although the product is water resistant, LCI recommends storing the door in the closed position during periods of rain to reduce the risk of water intrusion, which may result in delamination.

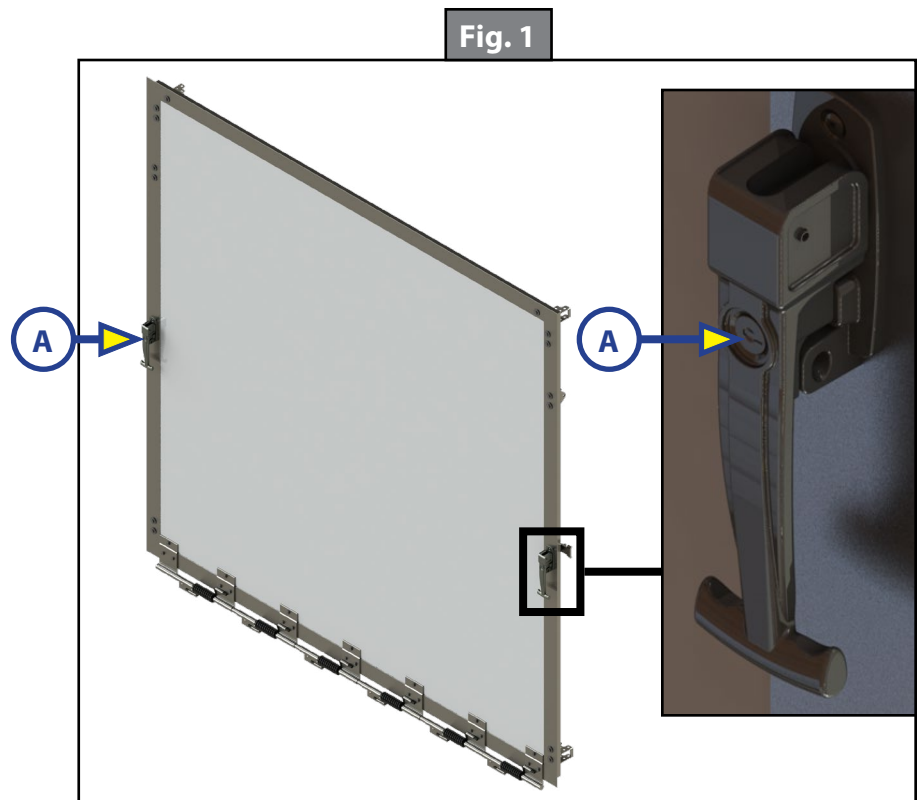
⚠ CAUTION

Moving parts can pinch, crush or cut. Keep clear and use caution.

Operation

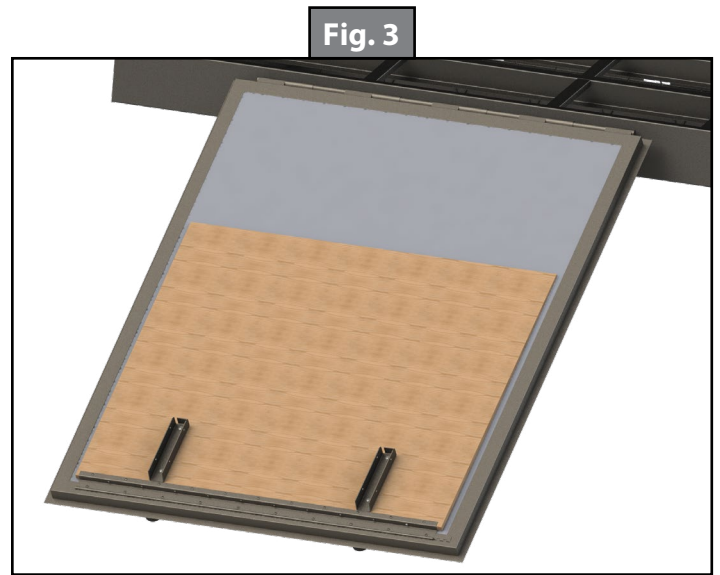
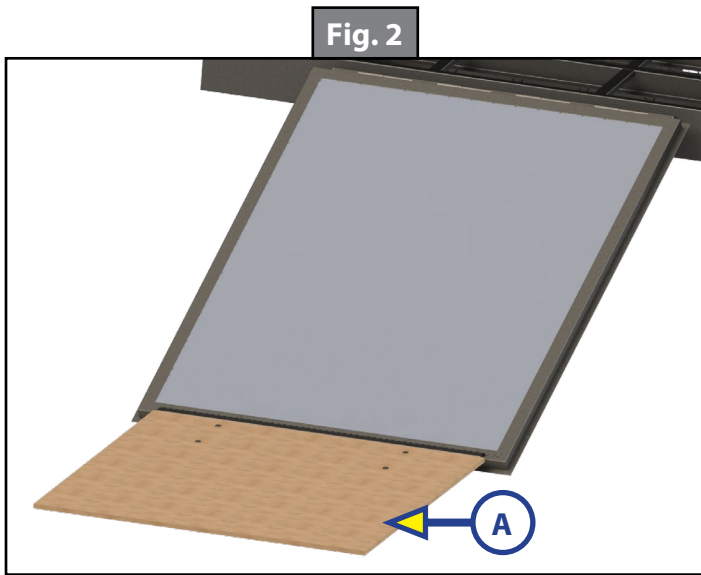
Extend Ramp Door

1. To open the ramp door, first verify the compression latch is unlocked (Fig.1A).
2. Raise the handle of the compression latch so that it is parallel with the ground.
3. Twist the compression latch handle 90° in either direction. This will release the locking tab from the door jamb, allowing the ramp door to be lowered.
4. Slowly lower the ramp door until it rests completely on level ground.
5. If a ramp door extension has been installed, unfold the ramp extension parallel to the ground.

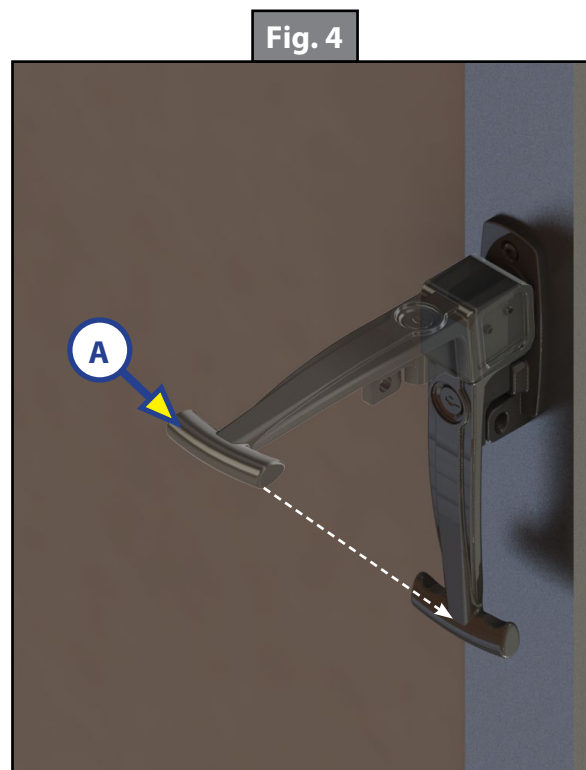


Retract Ramp Door

1. Make sure the ramp door and support wire cables on both sides of the door are clear of any obstructions.
2. If installed, fold the ramp extension (Fig. 2A) onto the ramp door (Fig. 3).



3. Make sure the support wire cables are clear of the door opening while slowly raising the door until it is in the closed position.
4. To secure the door, twist the compression latch handle 90° in either direction.
5. Lower the handle of the compression latch (Fig. 4A) so that it is perpendicular to the ground.
6. Repeat steps 4-5 for the opposite side.



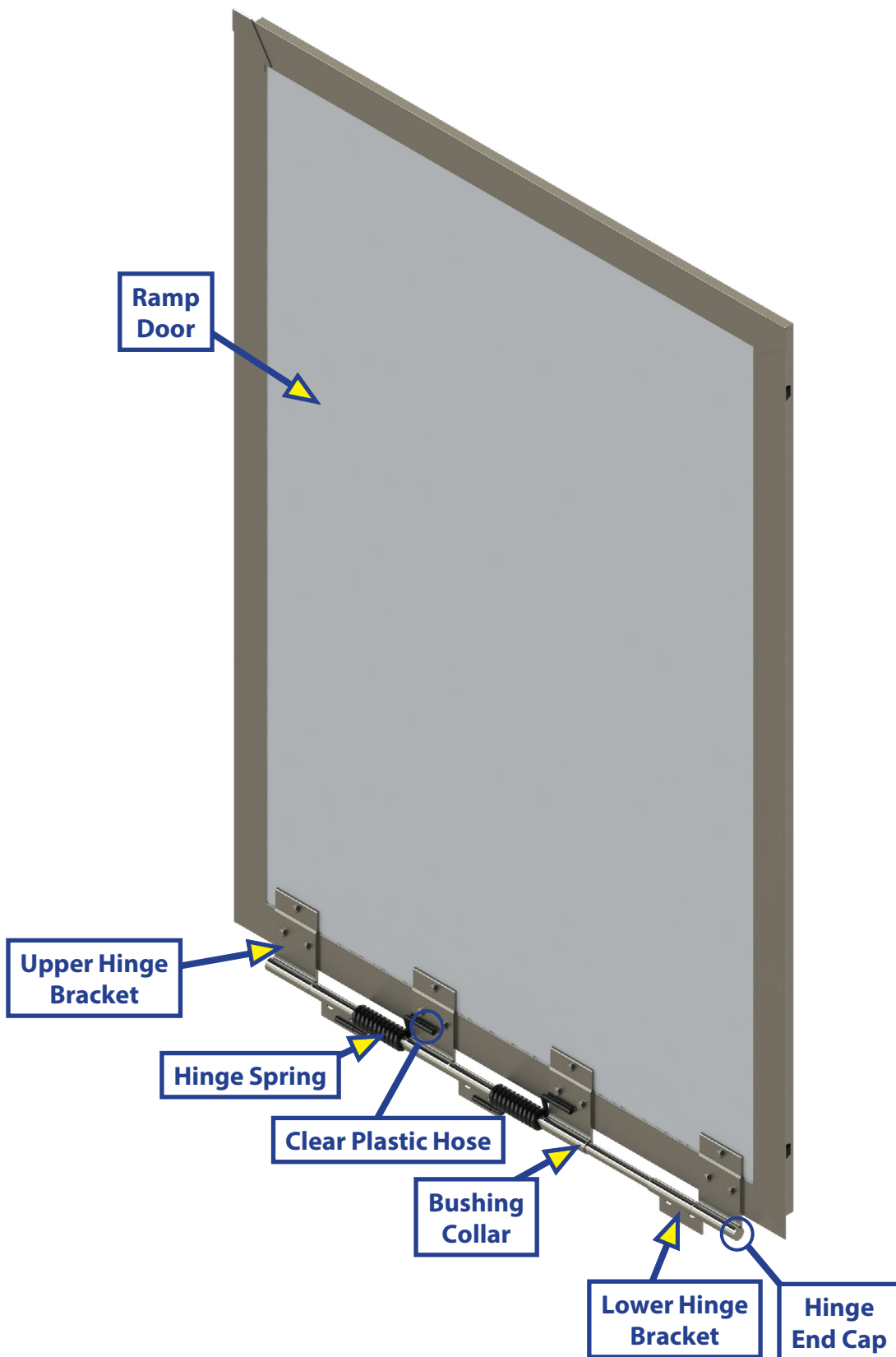
NOTE: In order to clean the ramp door, use only an alcohol-based cleaner. Other chemicals and cleaners may result in the degradation of the seal and cause delamination to the door.



LIPPERT
COMPONENTS

REAR RAMP DOOR ASSEMBLY

DOORS

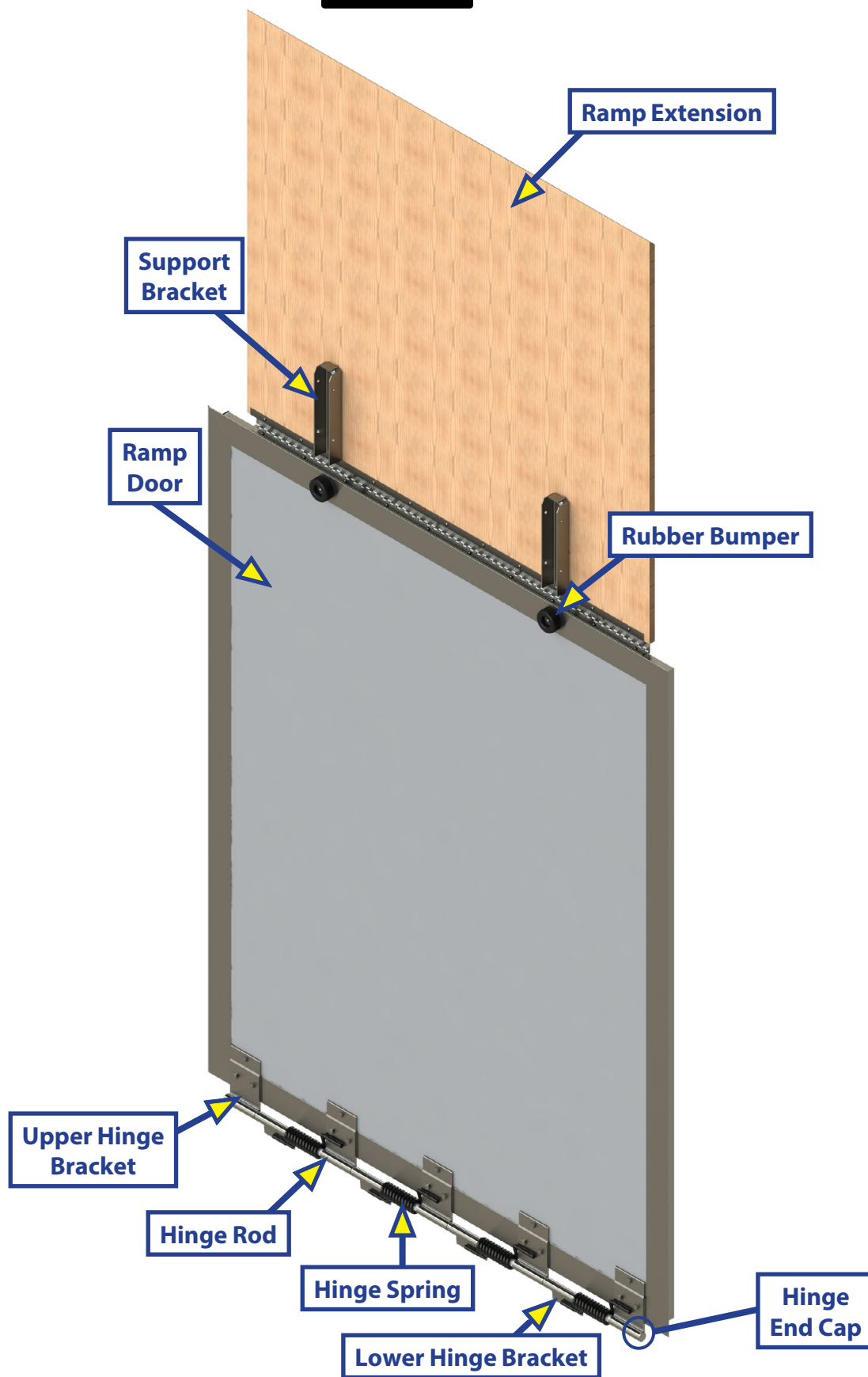




LIPPERT
COMPONENTS

REAR RAMP DOOR WITH EXTENSION ASSEMBLY

DOORS

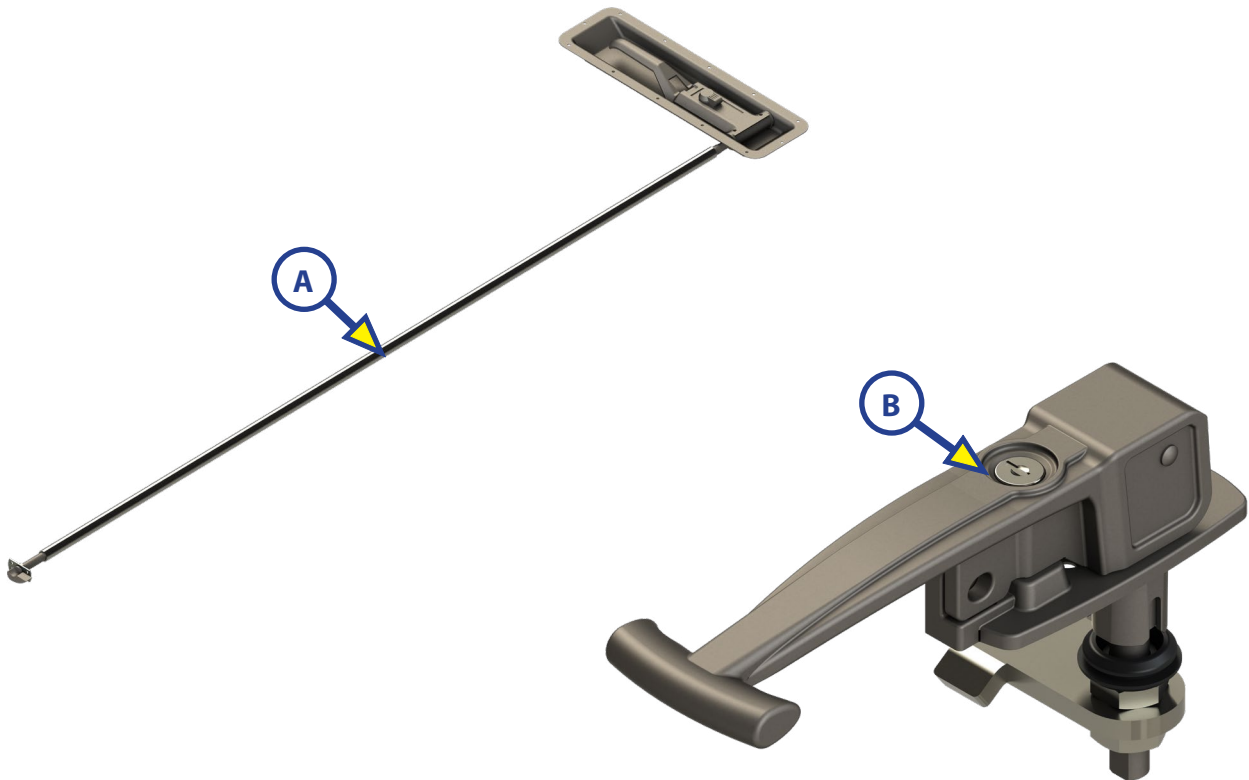


REAR RAMP DOOR COMPONENTS

DOORS

NOTE: Part numbers are shown for identification purposes only. Not all parts are available for individual sale. All parts with a link to the Lippert Store can be purchased.

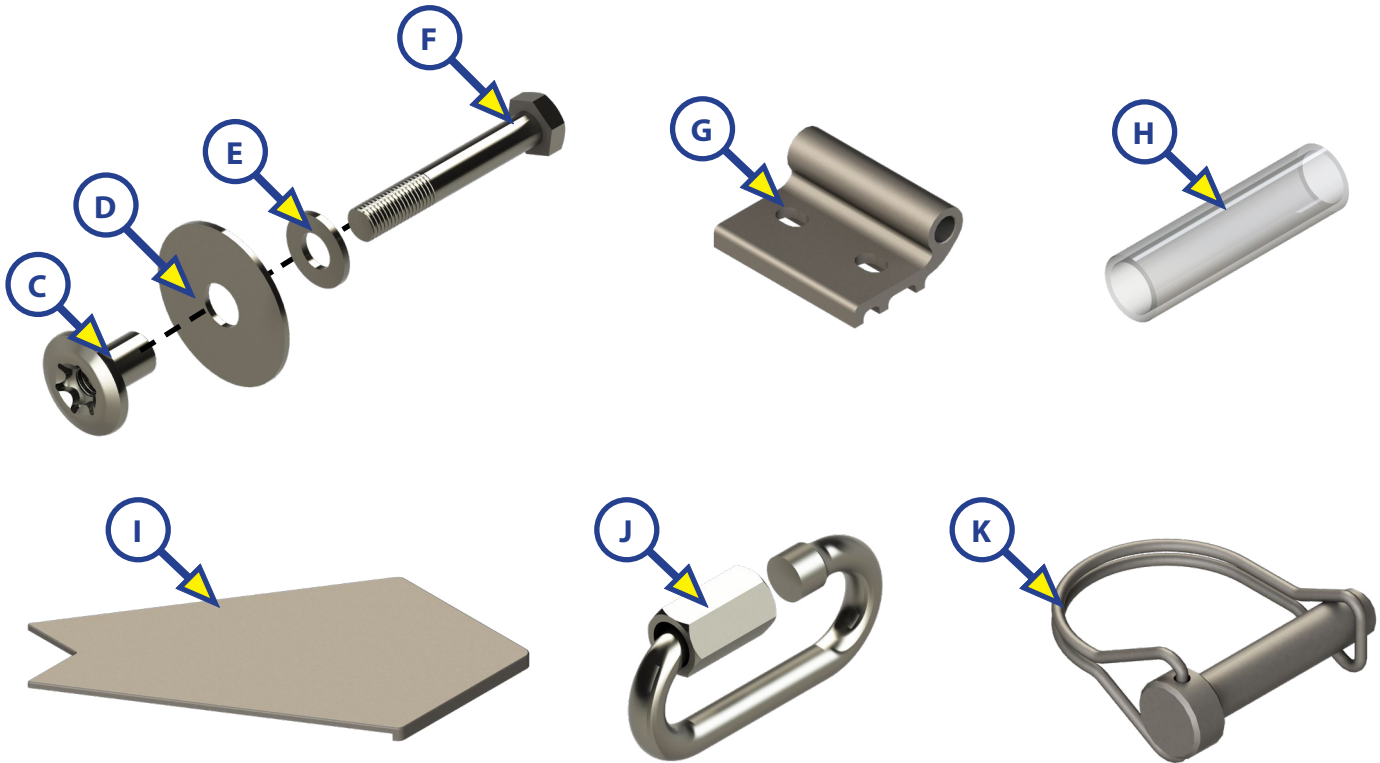
Description	<p>LCI - #39 INDIANA WA</p> <p>RAMP DOOR, PATIO KIT; 3002 118 3/8" W X 76 3/8" H, FMF AZGR ISO 7</p> <p>Orig. Qty: 1</p> <p>Lippert Components, Inc. - This product was made with hard woods, plywood, OSB, or overlay meranti that complies with Phase 2 emissions standards in section 931202 (a) of Title 17 of the California Code of Regulations</p>	RPO Number	<p>RPO-045-B08041</p> <p>342041</p> <p>Due Date: 08/01/14</p> <p>MFG Date: 08/08/14</p>	Part Number	Manufactured Date
--------------------	---	-------------------	---	--------------------	--------------------------



Callout	Part #	Description
A	170448	Center Latch Assembly (Obsolete)
B	687573	Compression Latch 2" Grip w/ Key Locking Plug; Black (Keyed Alike System)
	180753	Compression Latch w/ Key Locking Plug; Clear Coat
	404706	Compression Latch 4" Grip w/ Key Locking Plug (Keyed Alike System)
	694306	Compression Latch 4" Grip w/ Key Locking Plug; Black

NOTE: OEMs may supply and install latches independent of LCI part numbers.

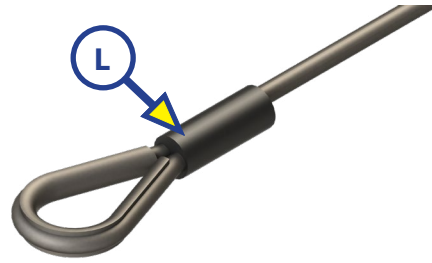
DOORS



Callout	Part #	Description
C	160112	Barrel Nut, 5/16"
D	160116	OD Washer, 3/8" x 1 1/2"
E	135834	Standard Washer, 3/8"
F	178169	Hex Bolt, 5/16" x 18 x 2
G	713080	Lower Hinge Bracket, Mill Finish
	162657	Lower Hinge Bracket, White Finish (Obsolete)
	7130801	Lower Hinge Bracket, Black Finish
H	163419	Clear Plastic Sleeve
I	180873	Plastic Miter Covers, 3" (Obsolete)
	180874	Plastic Miter Covers, 3 1/2" (Obsolete)
J	229829	Quick Link, 5/16"
K	380282	Snap Retainer Pin, 3/8 x 1 3/8"

REAR RAMP DOOR COMPONENTS

DOORS



Callout	Part #	Description
L	643469	Ramp Door Support Wire Cable With Plastic Coat, 84- $\frac{1}{16}$ " 7x19
	645076	Ramp Door Support Wire Cable With Plastic Coat, 86- $\frac{1}{8}$ " 7x19
	645077	Ramp Door Support Wire Cable With Plastic Coat, 86- $\frac{3}{4}$ " 7x19
	645078	Ramp Door Support Wire Cable With Plastic Coat, 87- $\frac{1}{4}$ " 7x19
	645079	Ramp Door Support Wire Cable With Plastic Coat, 87- $\frac{7}{8}$ " 7x19
	643470	Ramp Door Support Wire Cable With Plastic Coat, 88- $\frac{1}{2}$ " 7x19
	643471	Ramp Door Support Wire Cable With Plastic Coat, 89" 7x19
	328142	Ramp Door Support Wire Cable With Plastic Coat, 89 - $\frac{1}{4}$ " 7x19, Non-Adjustable
	643472	Ramp Door Support Wire Cable With Plastic Coat, 92- $\frac{3}{4}$ " 7x19
	643473	Ramp Door Support Wire Cable With Plastic Coat, 94" 7x19
	280663	Ramp Door Support Wire Cable With Plastic Coat, 94 - $\frac{1}{4}$ " 7x19, Non-Adjustable
	643474	Ramp Door Support Wire Cable With Plastic Coat, 96- $\frac{1}{8}$ " 7x19
	643475	Ramp Door Support Wire Cable With Plastic Coat, 97- $\frac{1}{8}$ " 7x19
	643476	Ramp Door Support Wire Cable With Plastic Coat, 98- $\frac{7}{8}$ " 7x19
	643477	Ramp Door Support Wire Cable With Plastic Coat, 101- $\frac{1}{16}$ " 7x19
	643478	Ramp Door Support Wire Cable With Plastic Coat, 103- $\frac{1}{8}$ " 7x19
	643479	Ramp Door Support Wire Cable With Plastic Coat, 105- $\frac{1}{4}$ " 7x19
	643480	Ramp Door Support Wire Cable With Plastic Coat, 108- $\frac{1}{16}$ " 7x19
	289182	Ramp Door Support Wire Cable With Plastic Coat, 112 - $\frac{1}{4}$ " 7x19, Non-Adjustable
	643481	Ramp Door Support Wire Cable With Plastic Coat, 112- $\frac{3}{4}$ " 7x19
325325	Ramp Door Support Wire Cable With Plastic Coat, 114 - $\frac{1}{4}$ " 7x19, Non-Adjustable	
643482	Ramp Door Support Wire Cable With Plastic Coat, 114- $\frac{3}{4}$ " 7x19	
427297	Ramp Door Support Wire Cable With Plastic Coat, 120- $\frac{1}{4}$ " 7x19	
257048	Ramp Door Support Wire Cable With Plastic Coat, 120 - $\frac{1}{4}$ "- $\frac{1}{4}$ " 7x19, Non-Adjustable	

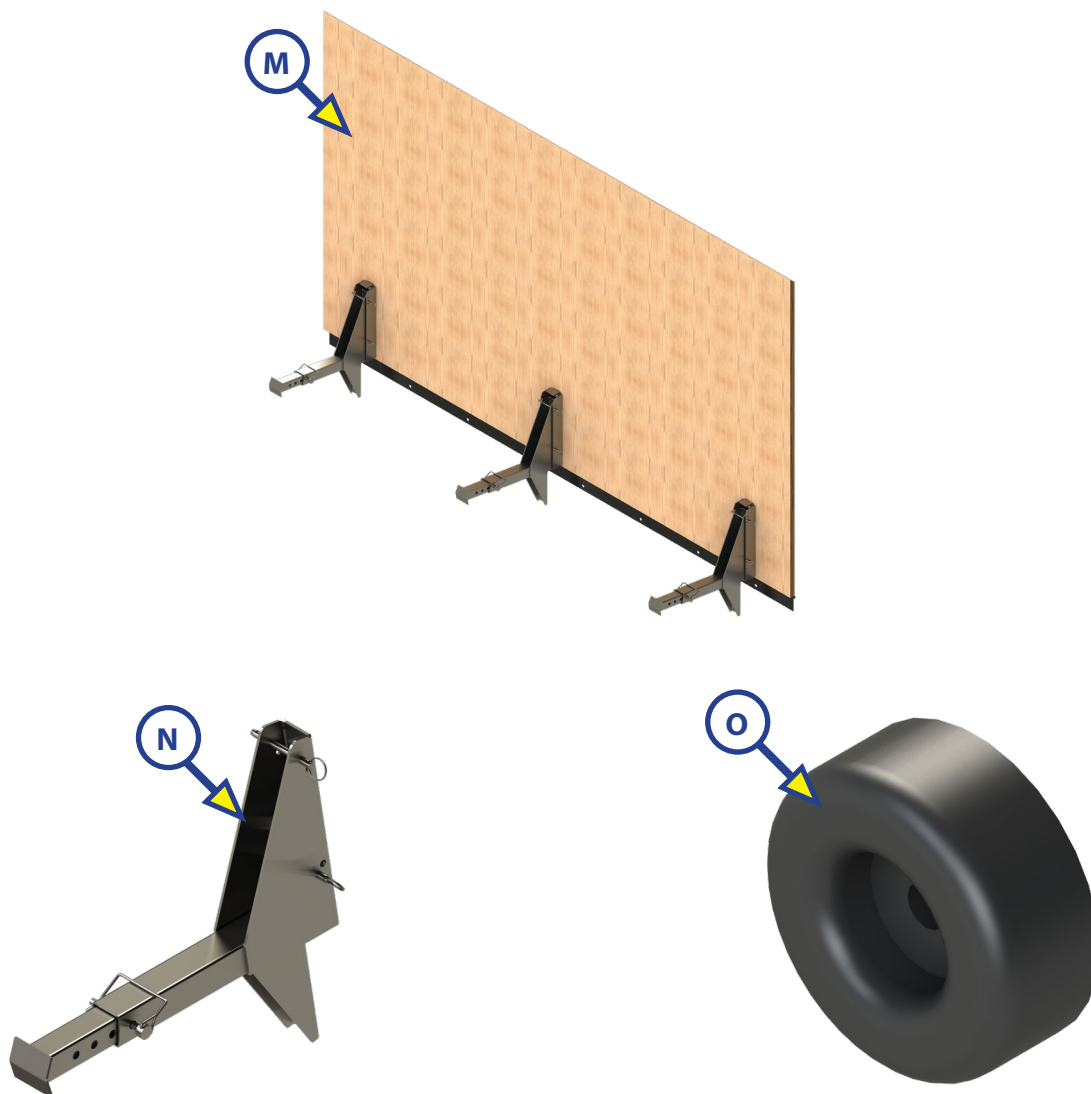
NOTE: Please Contact Customer Service for appropriate length.



LIPPERT
COMPONENTS

REAR RAMP DOOR COMPONENTS

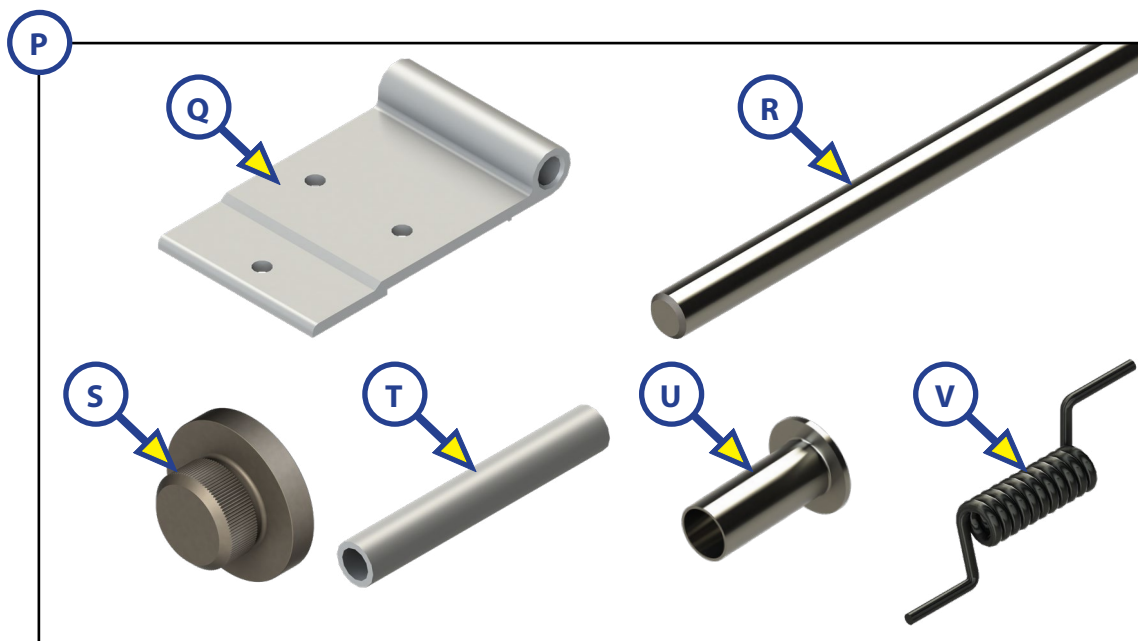
DOORS



Callout	Part #	Description
M	389515	Ramp Door Extension, 55 1/4" x 48" (Spray On)
	424061	Ramp Door Extension, 51 1/2" x 48" (Spray On)
	425764	Ramp Door Extension, 60" x 48" (Spray On)
	696606	Ramp Door Extension, 51 1/2" x 32" (Spray On)
N	387586	Ramp Door Extension Support Drop Leg
	697897	Ramp Door Extension Support Drop Leg
NOTE: See part number on description tag for extension needed.		
O	131718	Rubber Bumper

REAR RAMP DOOR COMPONENTS

DOORS



Callout	Part #	Description
P	181971	Cargo Door Spring and Hinge Field Replacement Kit
Q	133591	Upper Hinge Bracket (Mill Finish)
	162656	Upper Hinge Bracket (PC White) (Obsolete)
	1335911	Upper Hinge Bracket (PC Black)
R	1590271	Hinge Rod
S	167598	Hinge End Cap
T	133636	PVC Sleeve for Hinge
U	159031	Bushing Collar
V	133633	Spring (Light Duty)
	173067	Spring (Medium Duty)



L I P P E R T C O M P O N E N T S[®]

The contents of this manual are proprietary and copyright protected by Lippert Components, Inc. ("LCI"). LCI prohibits the copying or dissemination of portions of this manual unless prior written consent from an authorized LCI representative has been provided. Any unauthorized use shall void any applicable warranty. The information contained in this manual is subject to change without notice and at the sole discretion of LCI.

Revised editions are available for free download from lci1.com.

Please recycle all obsolete materials.

For all concerns or questions, please contact
Lippert Components, Inc.

Ph: (574) 537-8900 | Web: lci1.com | Email: customerservice@lci1.com